

V O L V O



Volvo Excavators 8.6-10.0 t 58 hp

ECR88D

Volvo Construction Equipment

ECR88D



Enhanced hydraulics

The hydraulic system is perfectly matched to the engine and components for fast response and smooth operation.



Stability

A heavy counterweight and a strong undercarriage deliver superior stability and the ability to lift bigger loads.



Service access

All service check points are accessed from ground level. Grouped filters make regular maintenance easy.



Single pivot pin

Volvo uses a single pivot design that achieves maximum support between main frame and front equipment. This concept increases stability, durability and lifetime of the components.

Built to get the job done



Optional hydraulics

For increased versatility, auxiliary hydraulic systems are available to enable the operation of a wide range of attachments.



MATRIS and VCADS Pro

The MATRIS tool monitors machine usage and operation. VCADS Pro analysis and programming software provides fast diagnostics.



ECO mode

The ECO mode provides optimal working performance together with fuel saving.



Optional dozer floating

The optional dozer blade float function 'floats' the dozer blade over the ground for improved leveling control and fuel efficiency.



Undercarriage

Durable and strong X-shape undercarriage ensures superior stability and increases Single pivot pin machine lifetime.



Auto engine shutdown

The auto engine shutdown provides lower fuel costs, less noise, much lower maintenance costs and a greater resale value.



Auto idle

Engine speed is reduced to idle when the controls are inactive for more than five seconds or the left-hand console is raised – reducing fuel consumption and noise.



Volvo engine

Tier 4f / Stage V compliant Volvo Engine delivers superior performance with low fuel consumption.



Volvo Cab

Volvo's purpose designed cab offers excellent all-round visibility, enhanced by the slim cab pillars and large windows.

Volvo ECR88D in detail

Engine

The new Tier 4f / Stage V compliant diesel engine is equipped with in-line, turbocharged and water cooled.

Model	Volvo	D2.6H
Max. power at	r/min	2 000
Net (ISO 9249/SAEJ1349)	kW	41
	hp	56
Gross (SAE J1995)	kW	42.4
	hp	57
Max. torque	Nm	220
at engine speed	r/min	1 300
No. of cylinders		4
Displacement	l	2.62
Bore	mm	87
Stroke	mm	110

Electrical System

Voltage	V	12
Batteries	V	1 x 12
Battery capacity	Ah	100
Alternator	V/Ah	12/70
Starter motor output	V - kW	12 - 2.5

Undercarriage

Robust X-shaped frame with sealed and greased track chains.

Track shoes		2 x 39
Link pitch	mm	154
Shoe width - steel	mm	450 / 600
Shoe width - rubber	mm	450
Bottom rollers		2 x 5
Top rollers		2 x 1

Cab

Refrigerant of the type R134a is used when this machine is equipped with air conditioning. Contains fluorinated greenhouse gas R134a, Global Warming Potential 1.430 t CO₂-eq

Sound Level

Sound level in cab according to ISO 6396		
L _{PA}	dB	74
External sound level according to ISO 6395 and EU Noise Directive 2000/14/EC		
L _{WA}	dB	98

Hydraulic system

Open-center, negative hydraulic system providing accurate controllability

Main pump: Variable-displacement pump

Maximum flow	l/min	2 x 68 + 54
Pilot pump: Gear pump		
Maximum flow	l/min	13

Relief valve setting pressure

Implement	MPa	29.4
Travel circuit	MPa	29.4
Swing circuit	MPa	24.5
Pilot circuit	MPa	3.4

Swing system

Direct drive swing with radial piston motor—maintenance free and automatic holding brake anti-rebound valve.

Max. swing speed	r/min	8.3
Max. swing torque	kNm	22.9

Travel System

Each track is powered by an automatic two-speed shift travel motor. The track brakes are multi-disc, spring-applied and hydraulic released.

Travel speed low	km/h	2.6
Travel speed high	km/h	5.2
Max. drawbar pull	kN	65
Gradeability	°	35

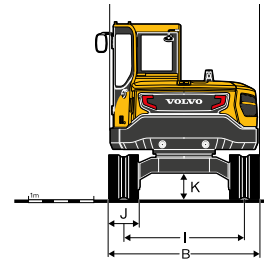
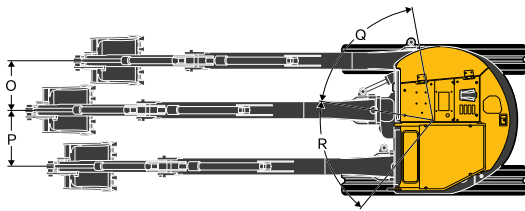
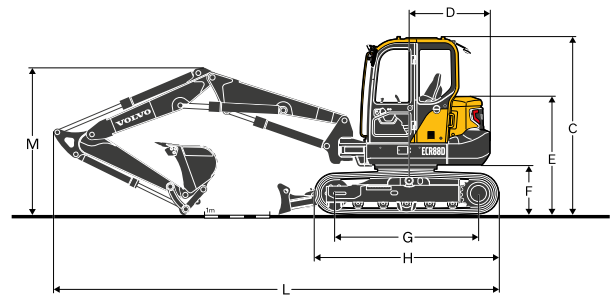
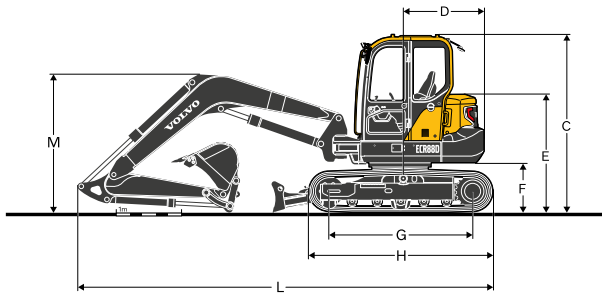
Service Refill

Fuel tank	l	110
Hydraulic system, total	l	140
Hydraulic tank	l	84
Engine oil	l	10.2
Coolant	l	9.3
Travel reduction unit	l	2 x 1.6

Buckets

	Width	Weight	Capacity
	mm	kg	l
Direct bucket	300	111	79
	450	139	143
	600	162	200
	750	182	266
	900	205	333
Quick coupler bucket	450	132	143
	600	156	200
	700	171	244
	850	191	310

Specifications

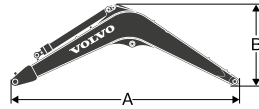


DIMENSIONS

Machine		ECR88D			
Boom	m	3.55 (mono)		3.85 (2pcs)	
Arm	m	1.7	2.1	1.7	2.1
A Overall width of upper structure	mm	2 260	2 260	2 260	2 260
B Overall width	mm	2 300 / 2 450	2 300 / 2 450	2 300 / 2 450	2 300 / 2 450
C Overall height of cab	mm	2 715	2 715	2 715	2 715
D Tail swing radius	mm	1 290	1 290	1 320	1 320
E Overall height of engine hood	mm	1 810	1 810	1 810	1 810
F Counterweight clearance *	mm	760	760	760	760
G Tumbler length	mm	2 200	2 200	2 200	2 200
H Track length	mm	2 830	2 830	2 830	2 830
I Track gauge	mm	1 850	1 850	1 850	1 850
J Shoe width	mm	450 / 600	450 / 600	450 / 600	450 / 600
K Min. ground clearance *	mm	405	405	405	405
L Overall length	mm	6 370	6 420	6 810	6 860
M Overall height of boom	mm	2 115	2 230	2 247	2 455
O Boom swing distance	mm	760	760	756	756
P Boom swing distance	mm	860	860	863	863
Q Boom swing angle	°	70		70	
R Boom swing angle	°	60		60	

* Without shoe grouser

Specifications



Boom and Arm

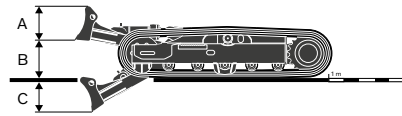
			Boom		Arm	
			3.55 m (mono)	3.85 m (2pcs)	1.7 m	2.1 m
A	Length	mm	3 700	4 030	2 283	2 684
B	Height	mm	1 244	983	518	562
	Width	mm	335	340	305	305
	Weight	kg	530	774	280	340

Boom: Includes cylinder, piping and pin, excludes boom cyl. Pin.

Arm: Includes cylinder, linkage and pin.

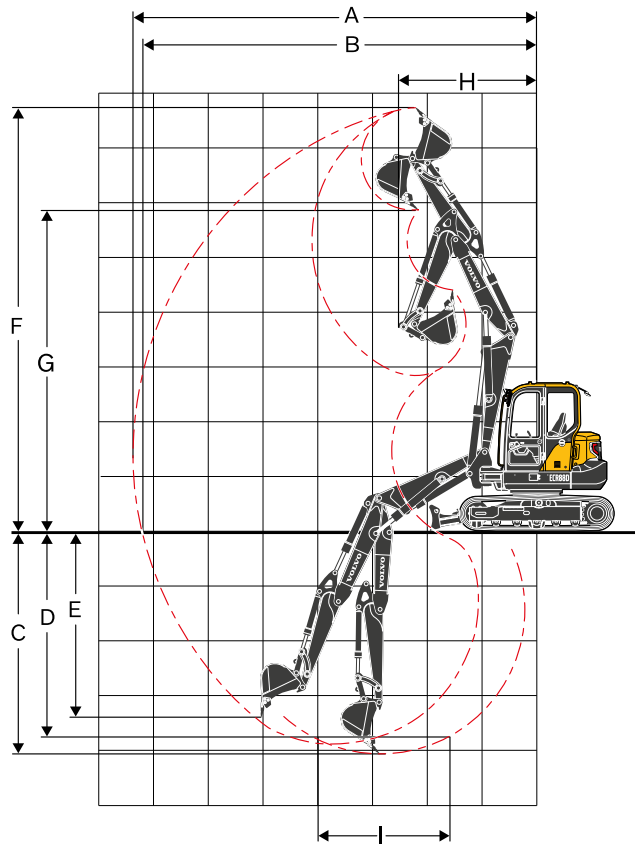
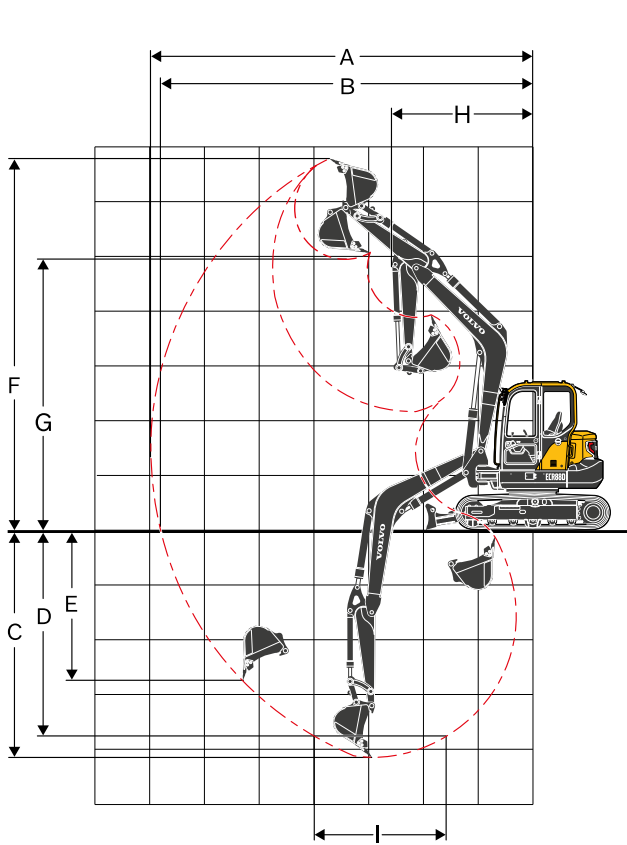
Dozer blade

A	Height	mm	470
	Width	mm	2 300
B	Lifting height	mm	518
C	Digging depth	mm	433



MACHINE WEIGHTS AND GROUND PRESSURE

	Shoe width	Operating weight	Ground pressure
	mm	kg	kPa
Mono boom 3.55 m, Arm 1.7 m, Bucket 188 kg (266 l), Counterweight 1 400 / 1 610 kg			
Steel track	450	8 939 / 9 149	40.2 / 41.1
	600	9 108 / 9 318	30.7 / 31.4
Rubber track	450	8 752 / 8 962	39.4 / 40.3
Rubber pad	450	8 988 / 9 198	40.2 / 41.2
Mono boom 3.55 m, Arm 2.1 m, Bucket 188 kg (266 l), Counterweight 1 400 / 1 610 kg			
Steel track	450	8 997 / 9 207	40.5 / 41.4
	600	9 166 / 9 376	30.7 / 31.6
Rubber track	450	8 810 / 9 020	39.6 / 40.6
Rubber pad	450	9 046 / 9 256	40.5 / 41.4
2pcs boom 3.85 m, Arm 1.7 m, Bucket 188 kg (266 l), Counterweight 1 610 kg			
Steel track	450	9 488	42.7
	600	9 656	32.6
Rubber track	450	9 301	41.8
Rubber pad	450	9 537	42.7
2pcs boom 3.85 m, Arm 2.1 m, Bucket 188 kg (266 l), Counterweight 1 610 kg			
Steel track	450	9 546	42.9
	600	9 714	32.8
Rubber track	450	9 359	42.1
Rubber pad	450	9 595	43.0



WORKING RANGES

Description	Unit	3.55 (mono)		3.85 (2pcs)	
Boom	m				
Arm	m	1.7	2.1	1.7	2.1
A Max. digging reach	mm	6 970	7 350	7 380	7 790
B Max. digging reach on ground	mm	6 800	7 180	7 220	7 640
C Max. digging depth	mm	4 130	4 530	4 090	4 480
D Max. digging depth (l=2 440mm level)	mm	3 750	4 200	3 790	4 220
E Max. vertical wall digging depth	mm	2 820	3 200	3 430	3 870
F Max. cutting height	mm	6 790	7 050	7 720	8 240
G Max. dumping height	mm	4 960	5 220	5 840	6 380
H Min. front swing radius	mm	2 560	2 640	2 530	2 700

DIGGING FORCES WITH DIRECT FIT BUCKET

Breakout force (bucket)	SAE J1179	kN	50.7	50.4	50.7	50.4
	ISO 6015	kN	57.2	56.8	57.2	56.8
Tearout force (arm)	SAE J1179	kN	38.9	33.8	38.9	33.8
	ISO 6015	kN	39.8	34.4	39.8	34.4
Rotation angle, bucket		°	190		190	

Specifications

LIFTING CAPACITY ECR88D

Lifting capacity at the arm end without bucket.

For lifting capacity including bucket. Simply subtract actual weight of the direct fit bucket or the bucket with quick coupler from the following values.

	Lifting point	1.0 m		2.0 m		3.0 m		4.0 m		5.0 m		6.0 m		Max. reach		
		Along	Across	Along	Across	Along	Across	Along	Across	Along	Across	Along	Across	mm		
Boom 3.55 m Arm 1.7 m Shoe Rubber 450 mm CWT 1 400 kg Dozer blade down	5.0 m kg							*1 540	*1 540					*1 620	*1 620	4 585
	4.0 m kg							*1 600	*1 600	*1 560	1 450			*1 580	1 290	5 345
	3.0 m kg					*2 510	*2 510	*1 920	*1 920	*1 660	1 420			*1 550	1 110	5 789
	2.0 m kg					*3 740	2 940	*2 360	1 920	*1 850	1 370	*1 610	1 030	*1 600	1 030	6 003
	1.0 m kg							*2 720	1 830	*2 030	1 330	*1 650	1 010	*1 650	1 010	6 014
	0.0 m kg					*3 810	2 750	*2 850	1 780	*2 100	1 290			*1 690	1 040	5 825
	-1.0 m kg			*3 570	*3 570	*3 890	2 760	*2 730	1 770	*2 000	1 290			*1 730	1 160	5 410
	-2.0 m kg			*4 870	*4 870	*3 240	2 800	*2 310	1 790					*1 740	1 430	4 695
	-3.0 m kg					*1 930	*1 930							*1 540	*1 540	3 433
Boom 3.55 m Arm 1.7 m Shoe Rubber 450 mm CWT 1 400 kg Dozer blade up	5.0 m kg							*1 540	*1 540					*1 620	1 580	4 585
	4.0 m kg							*1 600	*1 600	*1 560	1 370			1 540	1 220	5 345
	3.0 m kg					*2 510	*2 510	*1 920	1 910	*1 660	1 340			1 340	1 050	5 789
	2.0 m kg					3 580	2 750	2 310	1 810	1 650	1 290	1 240	970	1 240	970	6 003
	1.0 m kg							2 220	1 720	1 600	1 250	1 220	950	1 220	950	6 014
	0.0 m kg					3 390	2 580	2 170	1 670	1 570	1 220			1 260	980	5 825
	-1.0 m kg			*3 570	*3 570	3 400	2 580	2 160	1 660	1 560	1 210			1 400	1 090	5 410
	-2.0 m kg			*4 870	*4 870	*3 240	2 620	2 180	1 690					*1 740	1 350	4 695
	-3.0 m kg					*1 930	*1 930							*1 540	*1 540	3 433
Boom 3.55 m Arm 2.1 m Shoe Rubber 450 mm CWT 1 400 kg Dozer blade down	6.0 m kg													*1 520	*1 520	3 965
	5.0 m kg									*1 400	*1 400			*1 330	*1 330	5 095
	4.0 m kg									*1 360	*1 360			*1 230	1 120	5 776
	3.0 m kg							*1 660	*1 660	*1 490	1 420	*1 410	1 040	*1 210	980	6 184
	2.0 m kg					*3 190	3 000	*2 120	1 920	*1 700	1 360	*1 490	1 020	*1 250	910	6 382
	1.0 m kg					*3 640	2 770	*2 540	1 810	*1 910	1 310	*1 580	990	*1 330	890	6 393
	0.0 m kg					*3 950	2 690	*2 770	1 750	*2 040	1 260	*1 610	970	*1 490	920	6 217
	-1.0 m kg	*2 670	*2 670	*3 090	*3 090	*4 040	2 680	*2 750	1 720	*2 020	1 250			*1 570	1 000	5 835
	-2.0 m kg	*3 990	*3 990	*4 950	*4 950	*3 540	2 720	*2 470	1 730	*1 750	1 260			*1 600	1 200	5 192
-3.0 m kg			*3 940	*3 940	*2 550	*2 550	*1 690	*1 690					*1 560	*1 560	4 133	
Boom 3.55 m Arm 2.1 m Shoe Rubber 450 mm CWT 1 400 kg Dozer blade up	6.0 m kg													*1 520	*1 520	3 965
	5.0 m kg									*1 400	1 370			*1 330	1 330	5 095
	4.0 m kg									*1 360	*1 360			*1 230	1 060	5 776
	3.0 m kg							*1 660	*1 660	*1 490	1 340	1 250	980	1 190	930	6 184
	2.0 m kg					*3 190	2 810	*2 120	1 810	1 640	1 280	1 230	960	1 110	860	6 382
	1.0 m kg					3 410	2 590	2 200	1 710	1 580	1 230	1 200	930	1 090	840	6 393
	0.0 m kg					3 330	2 510	2 130	1 640	1 540	1 190	1 180	910	1 120	860	6 217
	-1.0 m kg	*2 670	*2 670	*3 090	*3 090	*3 320	2 510	2 110	1 610	1 520	1 170			1 230	940	5 835
	-2.0 m kg	*3 990	*3 990	*4 950	*4 950	3 350	2 540	2 120	1 620	1 540	1 180			1 460	1 130	5 192
-3.0 m kg			*3 940	*3 940	*2 550	*2 550	*1 690	*1 690					*1 560	*1 560	4 133	
Boom 3.55 m Arm 1.7 m Shoe Rubber 450 mm CWT 1 610 kg Dozer blade down	5.0 m kg							*1 540	*1 540					*1 620	*1 620	4 585
	4.0 m kg							*1 600	*1 600	*1 560	1 530			*1 580	1 360	5 345
	3.0 m kg					*2 510	*2 510	*1 920	*1 920	*1 660	1 500			*1 550	1 180	5 789
	2.0 m kg					*3 740	3 110	*2 360	2 030	*1 850	1 460	*1 610	1 100	*1 600	1 090	6 003
	1.0 m kg							*2 720	1 940	*2 030	1 410	*1 650	1 080	*1 650	1 070	6 014
	0.0 m kg					*3 810	2 930	*2 850	1 900	*2 100	1 380			*1 690	1 110	5 825
	-1.0 m kg			*3 570	*3 570	*3 890	2 940	*2 730	1 890	*2 000	1 370			*1 730	1 230	5 410
	-2.0 m kg			*4 870	*4 870	*3 240	2 980	*2 310	1 910					*1 740	1 530	4 695
	-3.0 m kg					*1 930	*1 930							*1 540	*1 540	3 433
Boom 3.55 m Arm 1.7 m Shoe Rubber 450 mm CWT 1 610 kg Dozer blade up	5.0 m kg							*1 540	*1 540					*1 620	*1 620	4 585
	4.0 m kg							*1 600	*1 600	*1 560	1 450			*1 580	1 290	5 345
	3.0 m kg					*2 510	*2 510	*1 920	*1 920	*1 660	1 420			1 410	1 120	5 789
	2.0 m kg					*3 740	2 920	*2 360	1 920	1 740	1 380	1 320	1 030	1 310	1 030	6 003
	1.0 m kg							2 340	1 830	1 690	1 330	1 300	1 020	1 290	1 010	6 014
	0.0 m kg					3 580	2 740	2 290	1 780	1 660	1 300			1 340	1 050	5 825
	-1.0 m kg			*3 570	*3 570	3 590	2 750	2 280	1 770	1 650	1 290			1 490	1 160	5 410
	-2.0 m kg			*4 870	*4 870	*3 240	2 790	2 300	1 800					*1 740	1 440	4 695
	-3.0 m kg					*1 930	*1 930							*1 540	*1 540	3 433

Notes: 1. The above loads are in compliance with SAE J1097 and ISO 10567 Hydraulic Excavator Lifting Capacity Standards. 2. Rated loads do not exceed 87% of hydraulic lifting capacity or 75% of tipping load. 3. Rated loads marked with an asterisk (*) are limited by hydraulic capacity rather than tipping load.

LIFTING CAPACITY ECR88D

Lifting capacity at the arm end without bucket.

For lifting capacity including bucket. Simply subtract actual weight of the direct fit bucket or the bucket with quick coupler from the following values.

	Lifting point	1.0 m		2.0 m		3.0 m		4.0 m		5.0 m		6.0 m		Max. reach				
		Along	Across	Along	Across	Along	Across	Along	Across	Along	Across	Along	Across	mm				
Boom 3.55 m Arm 2.1 m Shoe Rubber 450 mm CWT 1 610 kg Dozer blade down	6.0 m kg													*1 520	*1 520	3 965		
	5.0 m kg									*1 400	*1 400			*1 330	*1 330	5 095		
	4.0 m kg									*1 360	*1 360			*1 230	1 190	5 776		
	3.0 m kg								*1 660	*1 660	*1 490	*1 490	*1 410	1 110	*1 210	1 050	6 184	
	2.0 m kg						*3 190	3 170	*2 120	2 040	*1 700	1 450	*1 490	1 080	*1 250	980	6 382	
	1.0 m kg						*3 640	2 950	*2 540	1 930	*1 910	1 390	*1 580	1 060	*1 330	960	6 393	
	0.0 m kg						*3 950	2 870	*2 770	1 860	*2 040	1 350	*1 610	1 040	*1 490	980	6 217	
	-1.0 m kg	*2 670	*2 670	*3 090	*3 090	*4 040	2 860	*2 750	1 840	*2 020	1 330				*1 570	1 070	5 835	
	-2.0 m kg	*3 990	*3 990	*4 950	*4 950	*3 540	2 890	*2 470	1 850	*1 750	1 340				*1 600	1 280	5 192	
-3.0 m kg			*3 940	*3 940	*2 550	*2 550	*1 690	*1 690						*1 560	*1 560	4 133		
Boom 3.55 m Arm 2.1 m Shoe Rubber 450 mm CWT 1 610 kg Dozer blade up	6.0 m kg													*1 520	*1 520	3 965		
	5.0 m kg									*1 400	*1 400			*1 330	*1 330	5 095		
	4.0 m kg									*1 360	*1 360			*1 230	1 130	5 776		
	3.0 m kg								*1 660	*1 660	*1 490	1 420	1 330	1 050	*1 210	990	6 184	
	2.0 m kg						*3 190	2 980	*2 120	1 920	*1 700	1 370	1 300	1 020	*1 180	920	6 382	
	1.0 m kg						3 600	2 760	2 330	1 820	1 670	1 310	1 270	990	1 160	900	6 393	
	0.0 m kg						3 520	2 680	2 260	1 750	1 630	1 270	1 250	970	1 190	930	6 217	
	-1.0 m kg	*2 670	*2 670	*3 090	*3 090	3 510	2 670	2 230	1 720	1 610	1 250				1 300	1 010	5 835	
	-2.0 m kg	*3 990	*3 990	*4 950	*4 950	*3 540	2 700	2 240	1 740	1 630	1 270				1 550	1 210	5 192	
-3.0 m kg			*3 940	*3 940	*2 550	*2 550	*1 690	*1 690						*1 560	*1 560	4 133		
Boom 3.85 m 2-piece Arm 1.7 m Shoe Rubber 450 mm CWT 1 610 kg Dozer blade down	6.0 m kg													*2 070	*2 070	4 029		
	5.0 m kg									*1 880	*1 880	*1 730	1 490		*1 700	1 410	5 142	
	4.0 m kg						*2 540	*2 540	*2 000	*2 000	*1 710	1 490			*1 550	1 120	5 816	
	3.0 m kg									*2 290	2 050	*1 820	1 440	*1 540	1 050	*1 500	980	6 221
	2.0 m kg									*2 590	1 900	*1 940	1 370	*1 570	1 030	*1 440	910	6 418
	1.0 m kg									*2 710	1 790	*2 000	1 310	*1 560	1 000	*1 380	890	6 428
	0.0 m kg									*2 590	1 740	*1 940	1 270	*1 450	980	*1 300	920	6 254
	-1.0 m kg						*2 840	2 730	*2 260	1 730	*1 710	1 260			*1 190	1 010	5 875	
	-2.0 m kg						*2 080	*2 080	*1 700	*1 700	*1 180	*1 180			*970	*970	5 238	
Boom 3.85 m 2-piece Arm 1.7 m Shoe Rubber 450 mm CWT 1 610 kg Dozer blade up	6.0 m kg													*2 070	2 010	4 029		
	5.0 m kg									*1 880	*1 880	*1 730	1 410		1 680	1 330	5 142	
	4.0 m kg						*2 540	*2 540	*2 000	*2 000	*1 710	1 400			1 360	1 060	5 816	
	3.0 m kg									*2 290	1 930	1 720	1 350	1 280	990	1 190	920	6 221
	2.0 m kg									2 300	1 790	1 650	1 290	1 250	960	1 110	860	6 418
	1.0 m kg									2 190	1 680	1 590	1 230	1 220	930	1 090	840	6 428
	0.0 m kg									2 140	1 630	1 550	1 190	1 200	910	1 130	860	6 254
	-1.0 m kg						*2 840	2 540	2 130	1 620	1 540	1 180			*1 190	950	5 875	
	-2.0 m kg						*2 080	*2 080	*1 700	1 650	*1 180	*1 180			*970	*970	5 238	
Boom 3.85 m 2-piece Arm 2.1 m Shoe Rubber 450 mm CWT 1 610 kg Dozer blade down	7.0 m kg													*2 380	*2 380	2 906		
	6.0 m kg									*1 760	*1 760				*1 540	*1 540	4 679	
	5.0 m kg									*1 680	*1 680	*1 540	1 520		*1 310	1 190	5 640	
	4.0 m kg									*1 810	*1 810	*1 570	1 500	*1 430	1 070	*1 210	980	6 251
	3.0 m kg						*2 910	*2 910	*2 090	2 070	*1 690	1 440	*1 450	1 050	*1 180	870	6 625	
	2.0 m kg									*2 430	1 920	*1 840	1 360	*1 500	1 010	*1 180	810	6 809
	1.0 m kg									*2 640	1 780	*1 940	1 290	*1 530	970	*1 230	790	6 818
	0.0 m kg						*2 150	*2 150	*2 610	1 700	*1 930	1 240	*1 480	950	*1 180	810	6 656	
	-1.0 m kg						*2 060	*2 060	*3 190	2 630	*2 370	1 680	*1 770	1 210	*1 290	940	*1 100	880
-2.0 m kg						*3 010	*3 010	*2 480	*2 480	*1 910	1 690	*1 410	1 220		*940	*940	5 726	
-3.0 m kg						*1 420	*1 420	*1 110	*1 110						*610	*610	4 816	
Boom 3.85 m 2-piece Arm 2.1 m Shoe Rubber 450 mm CWT 1 610 kg Dozer blade up	7.0 m kg													*2 380	*2 380	2 906		
	6.0 m kg									*1 760	*1 760				*1 540	*1 540	4 679	
	5.0 m kg									*1 680	*1 680	*1 540	1 440		*1 310	1 130	5 640	
	4.0 m kg									*1 810	*1 810	*1 570	1 420	1 300	1 010	1 190	920	6 251
	3.0 m kg						*2 910	*2 910	*2 090	1 960	*1 690	1 360	1 270	990	1 060	810	6 625	
	2.0 m kg									2 320	1 800	1 650	1 280	1 240	950	1 000	760	6 809
	1.0 m kg									2 180	1 670	1 570	1 210	1 200	910	980	740	6 818
	0.0 m kg						*2 150	*2 150	2 100	1 590	1 520	1 160	1 170	880	1 000	760	6 656	
	-1.0 m kg						*2 060	*2 060	*3 190	2 450	2 070	1 570	1 500	1 130	1 160	870	1 080	820
-2.0 m kg						*3 010	*3 010	*2 480	*2 480	*1 910	1 580	*1 410	1 140		*940	*940	5 726	
-3.0 m kg						*1 420	*1 420	*1 110	*1 110						*610	*610	4 816	

Notes: 1. The above loads are in compliance with SAE J1097 and ISO 10567 Hydraulic Excavator Lifting Capacity Standards. 2. Rated loads do not exceed 87% of hydraulic lifting capacity or 75% of tipping load. 3. Rated loads marked with an asterisk (*) are limited by hydraulic capacity rather than tipping load.

Equipment

STANDARD EQUIPMENT
Engine
Low-emission Tier 4f / Stage V compliant diesel engine
Standard cooling system
Two-stage air filter
Fuel filter and water separator
Alternator, 70 A
Full auto regeneration
ECO mode
Electric / Electronic control system
Safe engine start function
Automatic idling system
Halogen working lights:
2ea on Cab front top LH/RH each
Battery, 12 V / 100 Ah
Start motor, 12 V / 2.5 kW
Monitor and keypad
Master electrical disconnect switch
Frame
1 400kg counterweight
Under cover
Dozer blade
Undercarriage
Greased and sealed track link
450mm rubber track
Hydraulic system
Automatic two speed travel motors
Cylinder cushioning
Hydraulic fluid mineral 46
Cab and interior
Glasses
Cup holder
Storage area
Door locks
Floor mat
Horn
Seat belt, 2 inch retractable
Seat belt alarm
Heater and air-conditioner
Fabric operator seat without heater
Control joystick
Travel pedals and hand levers
Master key
Hour meter (non analog)
Digging equipment
Boom: 3.55m, Arm: 1.7m
Linkage
Service
Tool kit-daily maintenance
Official approval
Machine conforming to European directive 2006/42/EC
Noise emissions in the environment conforming to directive 2000/14/EC
Hand Arm vibrations, Whole body vibrations compliant with directive 2002/44/EC
Electromagnetic compatibility (EMC) conforming to European directive 2004/108/EC and its amendments
Object handling device conforming to EN474-1 and EN474-5 standards (when equipped)
FOPS Level 2 conforming to ISO3449 standard (when equipped)
ROPS conforming to ISO12117-2 standards
TOPS conforming to ISO12117 and EN 13531 standards
FOG Level 2 conforming to ISO10262 standard and SAE J1356 standard (when equipped)

OPTIONAL EQUIPMENT
Electric / Electronic control system
Fuel filler pump: 35 l/min, with automatic shut-off
Auto engine shutdown
LED light
Extra working lights:
1ea on Cab rear
1ea on boom LH
1ea on boom LH (1st boom) for 2-piece boom
Caretrack
Travel alarm
Anti theft, code-lock
Rotating warning beacon
Frame
Rearview mirror
Rearview Camera
Dozer blade with floating function
1 610kg Heavy counterweight
Wide dozer blade for 600mm shoe
Undercarriage
450mm, 600mm steel track
450mm rubber pad
Hydraulic system
Hydraulic piping:
Breaker & shear
- Max. flow: 118 l/min (X1 single) 68 l/min (X1 double)
- Pressure: 21.6 MPa (X1 single) 29.4 MPa (X1 double)
Slope & rotator
- Max. flow: 28 l/min
- Pressure: 14.7 Mpa
Grapple
Quick coupler
ISO/SAE pilot control pattern change
Hose rupture valve for boom and arm
Overload warning device
Hydraulic oil, ISO VG 32, 68
Hydraulic oil, biodegradable 46
Hydraulic oil, longlife oil 46
Arm cyl Pipe with HRV 2 piece boom
Cab and interior
Carecab
Canopy
Fabric operator seat with heater
PVC operator seat without heater
PVC operator seat with heater
Fabric operator seat with heater with Air suspension
PVC operator seat with heater with Air suspension
Headrest
Control joystick, X3 proportional
Seat belt, 3 inch retractable
Radio with MP3/AUX
Boom swing pedal
Rain visor
Digital hour meter
Cab mounted FOG (Falling Object Guard)
FOPS (Falling Object Protection Structure)
Sun screen, front/roof
Safety net
Digging equipment
2-piece boom: 3.85m
Arm: 2.1m
Service
Tool kit, full scale
Spare parts

Not all products are available in all markets. Under our policy of continuous improvement, we reserve the right to change specifications and design without prior notice. The illustrations do not necessarily show the standard version of the machine.



V O L V O