



Volvo Construction Equipment

EC380E_{HR}, EC480E_{HR}

VOLVO EXCAVATORS



Volvo EC380E_{HR}, E480E_{HR} in detail.

Engine

The latest generation, Volvo engine Tier 4f (Stage IV) emissions compliant diesel engine fully meets the demands of the latest, emissions regulations. Featuring Volvo Advanced Combustion Technology (V-ACT), it is designed to deliver superior performance and fuel efficiency. The engine uses precise, high-pressure fuel injectors, turbo charger and air-to-air intercooler, and electronic engine controls to optimize machine performance.

Air Filter: 3-stage with precleaner.

Automatic Idling System: Reduces engine speed to idle when the levers and pedals are not activated resulting in less fuel consumption and low cab noise levels.

EC380E_{HR}

Engine Tier 4f (Stage IV)	Volvo	D13J
Max power at	r/s / r/min	28 / 1 700
Net, ISO 9249/SAE J1349	kW / hp	225 / 306
Gross, ISO 14396/SAE J1995	kW / hp	226 / 307
Max torque at	Nm / r/min	1 692 / 1 275
No. of cylinders		6
Displacement	l	12.8
Bore	mm	131
Stroke	mm	158

EC480E_{HR}

Engine Tier 4f (Stage IV)	Volvo	D13J
Max power at	r/s / r/min	30 / 1 800
Net, ISO 9249/SAE J1349	kW / hp	277 / 376
Gross, ISO 14396/SAE J1995	kW / hp	278 / 378
Max torque at	Nm / r/min	1 890 / 1 350
No. of cylinders		6
Displacement	l	12.8
Bore	mm	131
Stroke	mm	158

Electrical system

High-capacity electrical system that is well protected. Waterproof double-lock harness plugs are used to secure corrosion-free connections. The main relays and solenoid valves are shielded to prevent damage. The master switch is standard. Contronics provides advanced monitoring of machine functions and important diagnostic information.

		EC380E _{HR}	EC480E _{HR}
Voltage	V	24	24
Batteries	V	2 x 12	2 x 12
Battery capacity	Ah	200	200
Alternator	V / Ah	28 / 80	28 / 80

Swing system

The swing system uses an axial piston motors, driving a planetary gearbox for maximum torque. An automatic holding brake and anti-rebound valve are standard.

		EC380E _{HR}	EC480E _{HR}
Max. slew speed	r/min	10.2	9.3
Max. slew torque	kNm	130.5	166.3

Drive

Each track is powered by an automatic two-speed shift travel motor. The track brakes are multi-disc, spring-applied and hydraulic released. The travel motor, brake and planetary gears are well protected within the track frame.

		EC380E _{HR}	EC480E _{HR}
Max. drawbar pull	kN	276.5	333
Max. travel speed (1st Gear/2nd Gear)	km/h	3.4/5.3	3.2/5.2
Gradeability	°	35	35

Undercarriage

The undercarriage has a robust X-shaped frame. Greased and sealed track chains are standard.

		EC380E _{HR}	EC480E _{HR}
Track pads		2 x 50	2 x 52
Link pitch	mm	215.9	215.9
Shoe width, triple grouser	mm	600 / 700 / 800 / 900	600 / 700 / 800 / 900
Shoe width, double grouser	mm	600	600
Bottom rollers		2 x 9	2 x 9
Top rollers		2 x 2	2 x 2(2 x 3*)

* Retractable undercarriage

Hydraulic system

The new electro-hydraulic system and new MCV (main control valve) use intelligent technology to control on-demand flow for high-productivity, high-digging capacity and excellent fuel consumption.

The following important functions are included in the system:

Summation system: Combines the flow of both hydraulic pumps to a single function to ensure quick cycle times and high productivity.

Boom priority: Gives priority to the boom operation for faster raising when loading or performing deep excavations.

Arm priority: Gives priority to the arm operation for faster cycle times in leveling and for increased bucket filling when digging.

Swing priority: Gives priority to swing functions for faster simultaneous operations.

Regeneration system: Prevents cavitation and provides flow to other movements during simultaneous operations for maximum productivity.

Power boost: All digging and lifting forces are increased.

Holding valves: Boom and arm holding valves prevent the digging equipment from creeping.

	EC380EHR	EC480EHR
Main pump, Type 2 x variable displacement axial piston pumps		
Maximum flow l/min	2 x 300	2 x 376
Pilot pump, Type Gear pump		
Maximum flow l/min	32.6	32

Hydraulic motors

Travel: Variable displacement axial piston motor with mechanical brake
Slew: Fixed displacement axial piston motor with mechanical brake

	EC380EHR	EC480EHR
Relief valve setting		
Implement MPa	32.4/35.3	32.4/35.3
Travel circuit MPa	35.3	32.4
Slew circuit MPa	27.9	25.8
Pilot circuit MPa	3.9	3.9

Hydraulic cylinders

	EC380EHR	EC480EHR
Base boom	2	2
Bore x Stroke ø x mm	165 x 1 530	180 x 1 590
Arm	1	1
Bore x Stroke ø x mm	175 x 1 700	190 x 1 850
Bucket	1	1
Bore x Stroke ø x mm	145 x 1 285	165 x 1 335
Intermediate arm	1	1
Bore x Stroke ø x mm	160 x 1 530	175 x 1 700
Demolition arm	1	1
Bore x Stroke ø x mm	150 x 1 745	175 x 1 700
Crusher arm	1	1
Bore x Stroke ø x mm	130 x 1 150	130 x 1 150

Service refill capacities

	EC380EHR	EC480EHR
Fuel tank l	620	680
AdBlue/DEF tank l	62.5	62.5
Hydraulic system, total l	500	525
Hydraulic tank l	225	270
Engine oil l	42	42
Engine coolant l	60	60
Slew reduction unit l	6.5	2 x 6
Travel reduction unit l	2 x 6.8	2 x 7.5

Hydraulic cylinder for Demolition EC380EHR

	Qty	Bore ø mm	Stroke mm
for Demolition			
Base boom cylinder	2	165	1 530
Intermediate arm cylinder	1	160	1 530
Demolition arm cylinder	1	150	1 745
Crusher arm cylinder	1	130	1 150

for Digging

Base boom cylinder	2	165	1 530
Arm cylinder	1	175	1 700
Bucket cylinder	1	145	1 285

for HR

Modular cylinder	2	100	545
Tilting cab cylinder	2	65	130
Hyd. Retractable U/C cylinder	2	140	1 000

Hydraulic cylinder for Demolition EC480EHR

	Qty	Bore ø mm	Stroke mm
for Demolition			
Base boom cylinder	2	180	1 590
Intermediate arm cylinder	1	175	1 700
Demolition arm cylinder	1	175	1 700
Crusher arm cylinder	1	130	1 150

for Digging

Base boom cylinder	2	180	1 590
Arm cylinder	1	190	1 850
Bucket cylinder	1	165	1 335

for HR

Modular cylinder	2	100	590
Tilting cab cylinder	2	65	130
Hyd. Retractable U/C cylinder	2	140	1 000

Tilting Cab

The standard hydraulically tilting cabin tilts up to 30 degrees to enhance visibility and reduce operator fatigue and neck strain on high-reach jobs.

The operator's cab has easy access via a wide door opening. The cab is supported on hydraulic dampening mounts to reduce shock and vibration levels. These along with sound absorbing lining provide low noise levels. The cab has excellent all-round visibility, especially upward, with a wide front glass and top wiper. Integrated air-conditioning and heating system: The pressurized and filtered cab air is supplied by an automatically-controlled fan. The air is distributed throughout the cab from 14 vents. Ergonomic operator's seat: The adjustable seat and joystick console move independently to accommodate the operator. The seat has 12 different adjustments plus a seat belt for the operator's comfort and safety.

Sound Level

	EC380EHR	EC480EHR
Sound level in cab according to ISO 6396		
LpA dB(A)	71	71
External sound level according to ISO 6395 and EU Noise Directive (2000/14/EC) and 474-1:2006 +A1:2009		
LwA dB(A)	105	106

Digging Equipment

	EC380EHR	EC480EHR
Arm with strip m	3.20	3.35
Arm without strip m	3.20	3.35
Arm with strip m	3.90	3.90
Arm without strip m	3.90	3.90

Specifications.

MACHINE WEIGHTS

EC380EHR

At Demolition Equipment			
(Condition shoe for EU region)	mm	600	600
		Fixed undercarriage	Hydraulically retracted undercarriage
Base machine	kg	36 540	40 740
3-piece demolition equipment (incl cradle)	kg	7 510	7 510
Boom extension	kg	NO	NO
Additional CWT	kg	2 750	2 750
Total weight	kg	46 800	51 000
At Digging Equipment			
Base machine	kg	36 540	40 740
Digging equipment with 3.35m arm (incl cradle)	kg	5 180	5 180
Total weight	kg	41 720	45 920

EC480EHR (Manually removable counterweight)

At Demolition Equipment				
(Condition shoe for EU region)	mm	600	600	600
		Fixed undercarriage	Mech. retracted undercarriage	Hydr. retracted undercarriage
Base machine	kg	44 720	45 685	50 465
3-piece demolition equipment (incl cradle)	kg	9 755	9 755	9 755
Boom extension	kg	NO	NO	NO
Additional CWT	kg	3 350	3 350	3 350
Total weight	kg	57 825	58 790	63 570
At Digging Equipment				
Base machine	kg	44 720	45 685	50 465
Digging equipment with 3.35m arm (incl cradle)	kg	6 350	6 350	6 350
Total weight	kg	51 070	52 035	56 815

EC480EHR (Hydraulically removable counterweight)

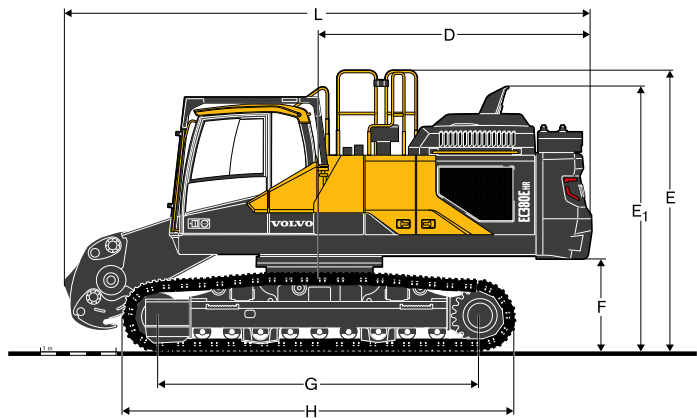
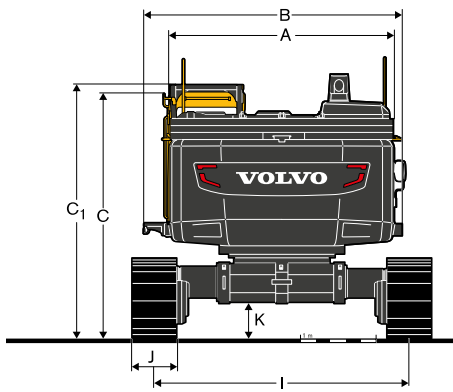
At Demolition Equipment				
(Condition shoe for EU region)	mm	600	600	600
		Fixed undercarriage	Mech. retracted undercarriage	Hydr. retracted undercarriage
Base machine	kg	44 520	45 485	50 265
3-piece demolition equipment (incl cradle)	kg	9 755	9 755	9 755
Boom extension	kg	NO	NO	NO
Additional CWT	kg	3 500	3 500	3 500
Total weight	kg	57 775	58 740	63 520
At Digging Equipment				
Base machine	kg	44 520	45 485	50 265
Digging equipment with 3.35m arm (incl cradle)	kg	6 350	6 350	6 350
Total weight	kg	50 870	51 835	56 615

GROUND PRESSURE

Description	Shoe width	Operating weight	Ground pressure	Overall width
	mm	kg	kPa	mm
EC380EHR				
Demolition mode; fixed undercarriage, with 12.57 m base boom + demo. boom, 2.5 m inter. arm, 6.7 m demolition arm, 2 500 kg crusher, 10 000 kg counterweight				
Triple grouser	600	48 615	86.7	3 980
	700	49 055	75.0	4 080
	800	49 505	66.2	4 180
	900	49 955	59.4	4 280
Triple grouser (HD)	600	49 065	87.5	3 980
Double grouser	600	48 895	87.2	3 980
EC380EHR				
Demolition mode; hydraulically retractable undercarriage, with 12.57 m base boom + demo. boom, 2.5 m inter. arm, 6.7 m demolition arm, 3 000 kg crusher, 10 000 kg counterweight				
Triple grouser	600	53 310	95.1	3 980
	700	53 750	82.2	4 080
	800	54 200	71.7	4 180
	900	54 650	65.0	4 280
Triple grouser (HD)	600	53 760	95.9	3 980
Double grouser	600	53 590	95.6	3 980
EC480EHR				
Demolition mode; fixed undercarriage, with 15.60 m base boom + demo. boom, 2.5 m inter. arm, 8.5 m demolition arm, 3 000 kg crusher, 13 000 kg counterweight				
Triple grouser	600	60 340	104.3	3 340
	700	60 840	90.2	3 440
	800	61 345	79.5	3 540
	900	61 845	71.3	3 640
Double grouser	600	60 390	104.4	3 340
EC480EHR				
Demolition mode; mech. retractable undercarriage, with 15.60 m base boom + demo. boom, 2.5 m inter. arm, 8.5 m demolition arm, 3 000 kg crusher, 13 000 kg counterweight				
Triple grouser	600	61 305	105.5	3 490
	700	61 805	91.2	3 590
	800	62 310	80.4	3 690
	900	62 810	72.1	3 790
Double grouser	600	61 355	105.6	3 490
EC480EHR				
Demolition mode; hydraulically retractable undercarriage, with 15.60 m base boom + demo. boom, 2.5 m inter. arm, 8.5 m demolition arm, 3 500 kg crusher, 13 000 kg counterweight				
Triple grouser	600	66 585	114.4	3 980
	700	67 085	98.8	4 080
	800	67 590	87.1	4 180
	900	68 090	78	4 280
Double grouser	600	66 635	114.5	3 980

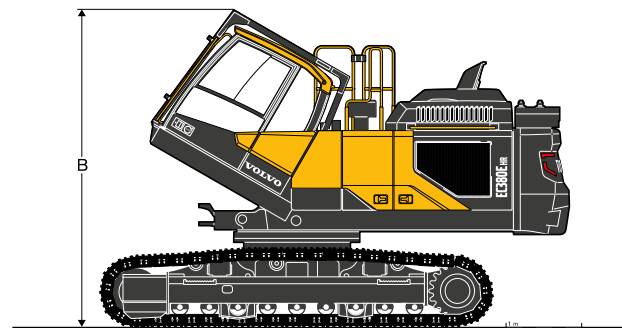
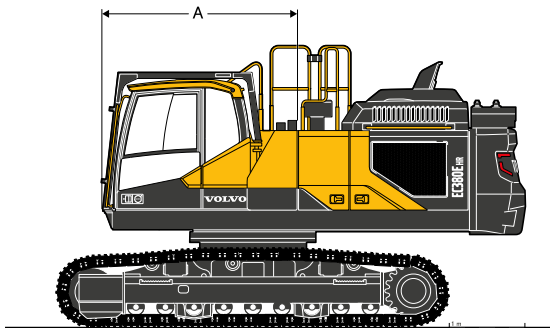
Specifications.

DIMENSIONS



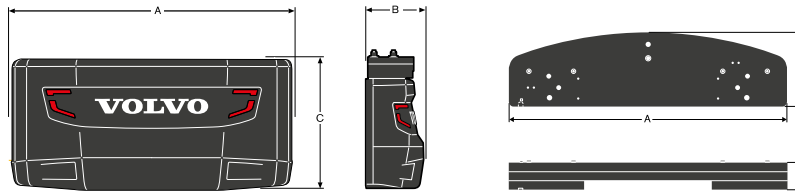
Description	Unit	EC380EHR		EC480EHR		
		Undercarriage fixed (Standard)	Undercarriage hydraulically retractable	Undercarriage fixed (Standard)	Undercarriage mechanically retractable	Undercarriage hydraulically retractable
A Width superstructure	mm	2 990	2 990	2 990	2 990	2 990
B Overall width with walk way (Only left side)	mm	3 320	3 320	3 320	3 320	3 320
Overall width with SIPS(both side) & Cab entrance step(Left side)	mm	3 415	3 415	3 415	3 415	3 415
Overall width without SIPS(both side) & Cab entrance step(Left side)	mm	2 990	2 990	2 990	2 990	2 990
C Overall height	mm	3 235	3 265	3 280	3 390	3 390
C ₁ Overall height (incl. FOG)	mm	3 330	3 360	3 390	3 500	3 500
D Tail swing radius	mm	3 600	3 600	3 880	3 880	3 880
E Overall height of Handrail	mm	3 690	3 720	3 735	3 845	3 845
E ₁ Overall height of Diffuser	mm	3 470	3 500	3 515	3 625	3 625
F Minimum Counterweight clearance *	mm	1 220	1 220	1 250	1 360	1 360
G Tumbler length	mm	4 240	4 240	4 370	4 370	4 370
H Track length	mm	5 180	5 210	5 370	5 370	5 370
I Track gauge (extended)	mm	2 740	3 380	2 740	2 890	3 380
Track gauge (retracted)	mm	-	2 390	-	2 390	2 390
J Shoe width	mm	600	600	600	600	600
K Min. ground clearance *	mm	500	480	515	710	485
L Overall length	mm	7 065	7 065	7 535	7 535	7 535
Total weight without additional counterweight	kg	36 540	40 730	44 720	45 685	50 465

* With shoe grouser



Dimensions of basic demolition machines	Unit	EC380EHR		EC480EHR		
		Undercarriage fixed (Standard)	Undercarriage hydraulically retractable	Undercarriage fixed (Standard)	Undercarriage mechanically retractable	Undercarriage hydraulically retractable
A Tilting cab length	mm	2 585	2 585	2 585	2 585	2 585
B Cabin height when fully tilted	mm	4 155	4 185	4 240	4 350	4 350
Cab tilting angle	°	30	30	30	30	30

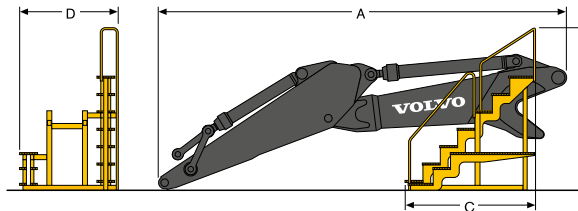
DIMENSIONS



Dimensions of the counterweight

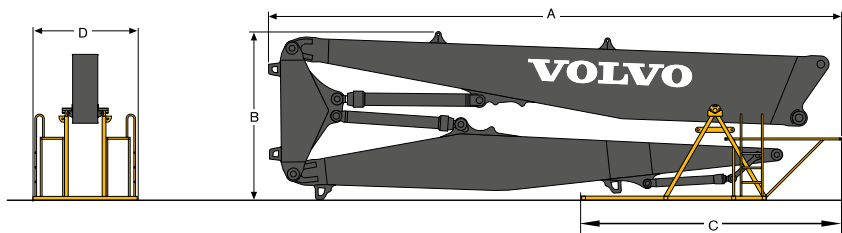
Description	Unit	EC380EHR		EC480EHR		
		standard	additional cwt	standard	additional cwt w/ fixed cwt	additional cwt w/ hydr remove cwt
A Width counterweight	mm	2 974	2 950	2 990	2 950	2 950
B Thickness counterweight	mm	734	590	920	590	590
C Height counterweight	mm	1 395	270	1 140	360	360
Total weight counterweight	kg	7 250	2 750	9 750	3 350	3 500

CAUTION: The machine can transported with the digging boom fitted. If it's transported without digging boom but with additional counterweight, take care of stability (tilting back) during the loading / unloading on truck.



Dimensions of backhoe equipment

Description	Unit	EC380EHR		EC480EHR	
		3.2 m	3.9 m	3.35 m	3.9 m
A Length - mounting to arm end	mm	6 865	7 600	8 775	8 785
B Overall height	mm	2 320	2 340	2 500	2 480
C Length of support cradle	mm	1 185	1 185	2 565	2 565
D Width of support cradle	mm	1 630	1 630	2 080	2 080
Weight of digging boom with transport cradle	kg	5 180	5 320	6 350	6 440

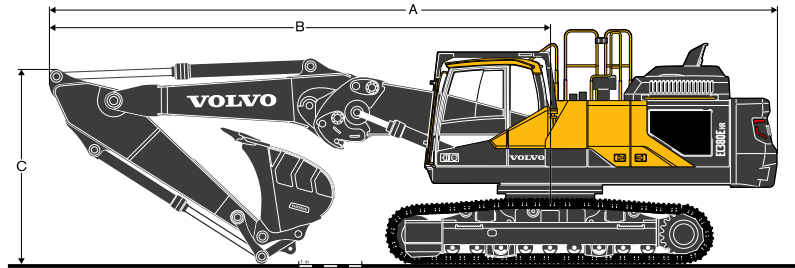


Dimensions of 3-piece demolition boom in support cradle

Description	Unit	EC380EHR	EC480EHR
A Overall length	mm	10 075	13 380
B Overall height	mm	3 012	3 050
C Length of support cradle	mm	2 565	2 585
D Width of support cradle	mm	2 080	2 040
Weight of working equipment without attachment, including support cradle	kg	7 510	9 755

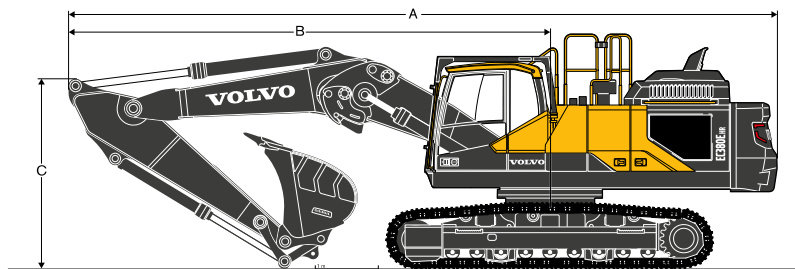
Specifications.

DIMENSIONS



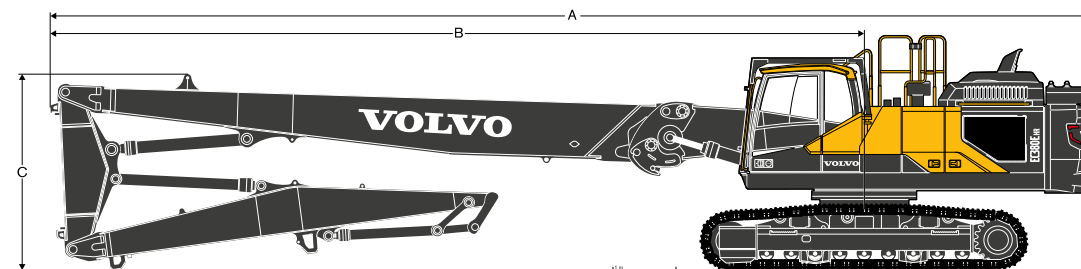
Dimensions of demolition machine including backhoe equipment (position for transport)

Boom	Unit	EC380EHR		EC480EHR	
		Straight boom 6.8 m		Straight boom 7.5 m	
Arm		3.2 m	3.9 m	3.35 m	3.9 m
A Overall length	mm	11 555	11 420	12 735	12 720
B Swing centre to front of equipment	mm	7 955	7 820	8 855	8 835
C Maximum height of boom in transport position	mm	3 085	3 960	3 510	3 670
Operating weight, excluding bucket	kg	45 525	45 665	56 330	56 420



Dimensions of demolition machine including backhoe equipment (position for transport)

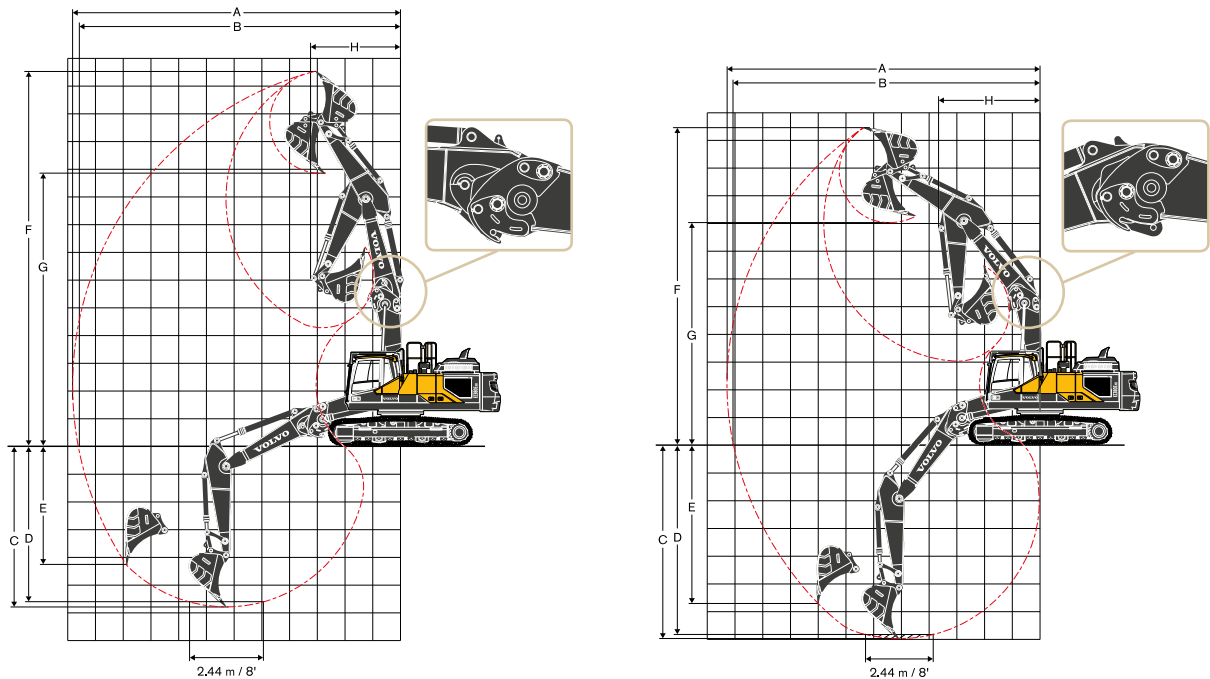
Boom	Unit	EC380EHR		EC480EHR	
		Bent boom 6.5 m		Bent boom 7.0 m	
Arm		3.2 m	3.9 m	3.35 m	3.9 m
A Overall length	mm	11 250	11 255	12 160	12 135
B Swing centre to front of equipment	mm	7 650	7 655	8 280	8 255
C Maximum height of boom in transport position	mm	3 605	3 845	3 860	3 830
Operating weight, excluding bucket	kg	45 525	45 665	56 330	56 420



Dimensions of demolition machine including 3-piece demolition attachment

	Unit	EC380EHR	EC480EHR
A Overall length	mm	16 515	20 045
B Swing centre to front of equipment	mm	12 915	16 165
C Maximum height of boom in transport position	mm	3 110	3 095
Operating weight, excluding crusher	kg	50 310	63 085

WORKING RANGES AND DIGGING FORCES



Unit		EC380EHR		EC480EHR	
Working ranges of demolition machines with straight boom					
Boom		Straight boom 6.8 m		Straight boom 7.5 m	
Arm		3.2 m	3.9 m	3.35 m	3.9 m
Bucket tip radius	mm	1 846	1 846	1 960	1 960
A Maximum digging reach	mm	11 825	12 500	12 815	13 330
B Maximum digging reach on ground	mm	11 625	12 310	12 590	13 115
C Maximum digging depth	mm	5 800	6 500	6 470	7 020
D Maximum digging depth (2.4 m level)	mm	5 650	6 370	6 325	6 890
E Maximum vertical wall digging depth	mm	4 300	4 815	5 060	5 520
F Maximum cutting height	mm	13 495	14 090	13 905	14 275
G Maximum dumping height	mm	9 810	10 410	10 030	10 410
H Minimum front swing radius	mm	3 250	3 580	3 970	3 940

Digging forces of demolition machines with straight boom

Boom		Straight boom 6.8 m		Straight boom 7.5 m	
Arm		3.2 m	3.9 m	3.35 m	3.9 m
Bucket tip radius	mm	1 846	1 846	1 960	1 960
Breakout force-bucket (Normal/Power boost) ISO	kN	201/219	201/219	243/265	243/265
Tearout force-arm (Normal / Power boost) ISO	kN	162/177	142/155	198/216	177/193
Rotation angle, bucket	°	178	178	183	183

Working ranges of demolition machines with bent boom

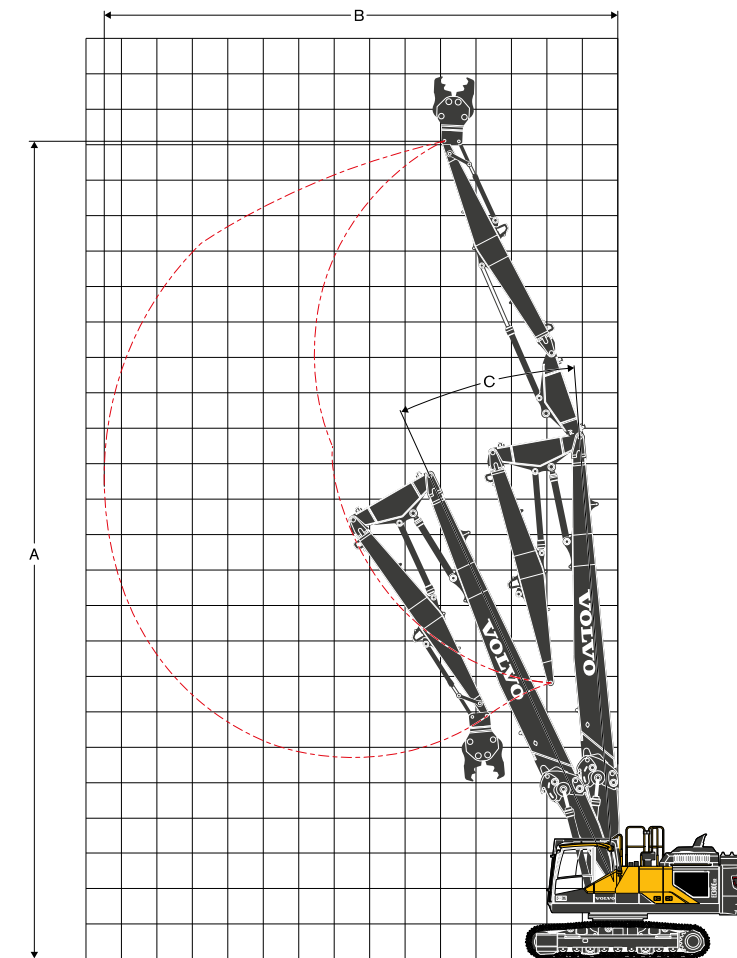
Boom		Bent boom 6.5 m		Bent boom 7.0 m	
Arm		3.2 m	3.9 m	3.35 m	3.9 m
Bucket tip radius	mm	1 846	1 846	1 960	1 960
A Maximum digging reach	mm	11 285	11 935	12 095	12 585
B Maximum digging reach on ground	mm	11 075	11 735	11 855	12 355
C Maximum digging depth	mm	7 010	7 710	7 730	8 280
D Maximum digging depth (2.4 m level)	mm	6 860	7 575	7 585	8 150
E Maximum vertical wall digging depth	mm	5 740	6 340	5 530	5 865
F Maximum cutting height	mm	11 420	11 790	10 990	11 135
G Maximum dumping height	mm	7 995	8 375	7 490	7 655
H Minimum front swing radius	mm	3 660	3 710	5 065	4 935

Digging forces of demolition machines with bent boom

Boom		Bent boom 6.5 m		Bent boom 7.0 m	
Arm		3.2 m	3.9 m	3.35 m	3.9 m
Bucket tip radius	mm	1 846	1 846	1 960	1 960
Breakout force-bucket (Normal/Power boost) ISO	kN	201/219	201/219	243/265	243/265
Tearout force-arm (Normal / Power boost) ISO	kN	162/177	142/155	198/216	177/193
Rotation angle, bucket	°	178	178	183	183

Specifications.

WORKING RANGES AND DIGGING FORCES



EC380EHR demolition machine with 3-piece demolition boom

Description	Unit	EC380EHR Undercarriage, fixed (Standard)
A Maximum pin height	mm	23 025
B Maximum pin reach	mm	14 490
Maximum tool weight	t	2.5
C Operating angle	°	20

Description	Unit	EC380EHR Undercarriage hydraulically retractable
A Maximum pin height	mm	23 060
B Maximum pin reach	mm	14 490
Maximum tool weight	t	3
C Operating angle	°	20

EC480EHR demolition machine with 3-piece demolition boom

Description	Unit	EC480EHR Undercarriage, fixed
A Maximum pin height	mm	28 030
B Maximum pin reach	mm	16 090
Maximum tool weight	t	3
C Operating angle	°	15

Description	Unit	EC480EHR Undercarriage mechanically retractable
A Maximum pin height	mm	28 140
B Maximum pin reach	mm	16 090
Maximum tool weight	t	3
C Operating angle	°	15

Description	Unit	EC480EHR Undercarriage hydraulically retractable
A Maximum pin height	mm	28 140
B Maximum pin reach	mm	16 090
Maximum tool weight	t	3.5
C Operating angle	°	15

LIFTING CAPACITY EC380EHR with fixed type long crawler undercarriage

At the arm end without bucket.

For lifting capacity including bucket, simply subtract actual weight of the direct fit bucket or the bucket with quick fit from the following values.

	Lifting hook related to ground level	1.5 m		3.0 m		4.5 m		6.0 m		7.5 m		9.0 m		10.5 m		Max. reach		m	
		Along UC	Across UC	Along UC	Across UC	Along UC	Across UC	Along UC	Across UC	Along UC	Across UC	Along UC	Across UC	Along UC	Across UC	Along UC	Across UC		
Bent boom	9.0 m	kg																	
6.5 m	7.5 m	kg						*10 270	*10 270								*7 960	*7 960	6.5
Arm	6.0 m	kg															*7 300	*7 300	7.8
3.2 m	4.5 m	kg															*7 060	*7 060	8.6
Shoe	3.0 m	kg															*7 100	*7 100	9.1
900 mm	1.5 m	kg															*7 350	*7 350	9.4
CWT	0.0 m	kg															*8 700	*7 480	9.2
7 250 kg	-1.5 m	kg			*14 870	*14 870	*22 460	*22 080	*17 020	13 940	12 770	10 090					*10 130	8 270	8.7
	-3.0 m	kg			*23 760	*23 760	*19 980	*19 980	*15 420	14 010	*11 730	10 180					*10 730	9 560	7.9
	-4.5 m	kg					*15 630	*15 630	*11 800	*11 800							*9 950	*9 950	6.6
Bent boom	9.0 m	kg																	
6.5 m	7.5 m	kg															*6 170	*6 170	7.4
Arm	6.0 m	kg															*5 730	*5 730	8.6
3.9 m	4.5 m	kg															*5 570	*5 570	9.3
Shoe	3.0 m	kg															*5 800	*5 580	9.8
900 mm	1.5 m	kg															*6 110	*6 110	10.1
CWT	0.0 m	kg															*6 690	*6 690	9.8
7 250 kg	-1.5 m	kg															*7 640	*7 330	9.4
	-3.0 m	kg			*9 270	*9 270	*13 970	*13 970	*23 110	21 930	*17 210	13 860	12 690	10 010	9 740	7 750	*9 290	8 260	8.6
	-4.5 m	kg															*9 800	*9 800	7.5
Straight boom	10.5 m	kg																	
6.8 m	9.0 m	kg															*10 090	*10 090	5.5
Arm	7.5 m	kg															*8 290	*8 290	7.3
3.2 m	6.0 m	kg															*7 520	*7 520	8.5
Shoe	4.5 m	kg															*7 170	*7 170	9.2
900 mm	3.0 m	kg															*7 050	*7 050	9.7
CWT	1.5 m	kg															*7 150	*6 820	10.0
7 250 kg	0.0 m	kg															*7 420	*6 750	10.0
	-1.5 m	kg															*7 940	*6 940	9.8
	-3.0 m	kg															*8 660	*7 760	9.3
	-4.5 m	kg															*6 190	*6 190	8.5
	-6.0 m	kg															*10 530	*10 530	4.0
Straight boom	12.0 m	kg																	
6.8 m	10.5 m	kg																	
Arm	9.0 m	kg																	
3.9 m	7.5 m	kg																	
Shoe	6.0 m	kg																	
900 mm	4.5 m	kg																	
CWT	3.0 m	kg																	
7 250 kg	1.5 m	kg																	
	0.0 m	kg																	
	-1.5 m	kg																	
	-3.0 m	kg																	
	-4.5 m	kg																	
Bent boom	9.0 m	kg																	
6.5 m	7.5 m	kg																	
Arm	6.0 m	kg																	
3.2 m	4.5 m	kg																	
Shoe	3.0 m	kg																	
800 mm	1.5 m	kg																	
CWT	0.0 m	kg																	
7 250 kg	-1.5 m	kg																	
	-3.0 m	kg																	
	-4.5 m	kg																	
Bent boom	9.0 m	kg																	
6.5 m	7.5 m	kg																	
Arm	6.0 m	kg																	
3.2 m	4.5 m	kg																	
Shoe	3.0 m	kg																	
800 mm	1.5 m	kg																	
CWT	0.0 m	kg																	
7 250 kg	-1.5 m	kg																	
	-3.0 m	kg																	
	-4.5 m	kg																	
Straight boom	10.5 m	kg																	
6.8 m	9.0 m	kg																	
Arm	7.5 m	kg																	
3.2 m	6.0 m	kg																	
Shoe	4.5 m	kg																	
800 mm	3.0 m	kg																	
CWT	1.5 m	kg																	
7 250 kg	0.0 m	kg																	
	-1.5 m	kg																	
	-3.0 m	kg																	
	-4.5 m	kg																	
Straight boom	12.0 m	kg																	
6.8 m	10.5 m	kg																	
Arm	9.0 m	kg																	
3.9 m	7.5 m	kg																	
Shoe	6.0 m	kg																	
800 mm	4.5 m	kg																	
CWT	3.0 m	kg																	
7 250 kg	1.5 m	kg																	
	0.0 m	kg																	
	-1.5 m	kg																	
	-3.0 m	kg																	
	-4.5 m	kg																	

Notes: 1. The above loads are in compliance with SAE and ISO Hydraulic Excavator Lift Capacity Standards. 2. They do not exceed 87% of hydraulic lifting capacity or 75% of tipping load. 3. Rated loads marked with an asterisk (*) are limited by hydraulic capacity rather than tipping load.

LIFTING CAPACITY EC380EHR with hydraulically retractable undercarriage

At the arm end without bucket.

For lifting capacity including bucket, simply subtract actual weight of the direct fit bucket or the bucket with quick fit from the following values.

	Lifting hook related to ground level	1.5 m		3.0 m		4.5 m		6.0 m		7.5 m		9.0 m		10.5 m		Max. reach		
		Along UC	Across UC	Along UC	Across UC	Along UC	Across UC	Along UC	Across UC	Along UC	Across UC	Along UC	Across UC	Along UC	Across UC	Along UC	Across UC	m
Bent boom	9.0 m kg							*10 270	*10 270							*7 960	*7 960	6.5
	6.5 m							*11 340	*11 340							*7 300	*7 300	7.8
	Arm							*12 180	*12 180	*11 100	*11 100					*7 060	*7 060	8.6
	3.2 m							*17 320	*17 320	*13 710	*13 710	*11 790	*11 790	*8 600	*8 600	*7 100	*7 100	9.1
	Shoe							*21 030	*21 030	*15 460	*15 460	*12 670	*11 830	*11 010	8 960	*7 350	*7 350	9.4
	900 mm							*23 330	*23 330	*16 850	15 890	*13 410	11 460	10 950	8 780	*7 850	*7 850	9.4
	CWT							*23 620	*23 620	*17 430	15 460	*13 730	11 200	10 830	8 660	*8 700	8 430	9.2
	7 250 kg								*19 980	*19 980	*15 420	15 350	*11 730	11 170		*10 130	9 090	8.7
									*15 630	*15 630	*11 800	*11 800				*9 950	*9 950	6.6
Bent boom	9.0 m kg															*6 170	*6 170	7.4
	6.5 m															*5 730	*5 730	8.6
	Arm															*5 570	*5 570	9.3
	3.9 m															*5 580	*5 580	9.8
	Shoe															*5 760	*5 760	10.1
	900 mm															*6 110	*6 110	10.1
	CWT															*6 690	*6 690	9.8
	7 250 kg															*7 640	*7 640	9.4
																*9 290	9 090	8.6
Straight boom	10.5 m kg															*10 090	*10 090	5.5
	6.8 m															*8 290	*8 290	7.3
	Arm															*7 520	*7 520	8.5
	3.2 m															*7 170	*7 170	9.2
	Shoe															*7 050	*7 050	9.7
	900 mm															*7 150	*7 150	10.0
	CWT															*7 420	*7 420	10.0
	7 250 kg															*7 940	*7 660	9.8
																*6 190	*6 190	8.5
Straight boom	12.0 m kg															*10 530	*10 530	4.0
	6.8 m															*7 470	*7 470	6.6
	Arm															*6 410	*6 410	8.2
	3.9 m															*5 890	*5 890	9.2
	Shoe															*5 640	*5 640	10.0
	900 mm															*5 550	*5 550	10.4
	CWT															*5 630	*5 630	10.6
	7 250 kg															*5 820	*5 820	10.7
																*6 180	*6 180	10.5
Bent boom	9.0 m kg															*6 780	*6 780	10.0
	6.5 m															*6 230	*6 230	9.3
	Arm															*9 360	*9 360	8.3
	3.2 m															*10 270	*10 270	6.5
	Shoe															*11 340	*11 340	7.8
	800 mm															*12 180	*12 180	8.6
	CWT															*11 100	*11 100	9.1
	7 250 kg															*13 710	*13 710	9.4
																*21 030	*21 030	9.4
Bent boom	9.0 m kg															*10 130	9 000	8.7
	6.5 m															*10 730	10 400	7.9
	Arm															*9 950	*9 950	6.6
	3.2 m															*6 170	*6 170	7.4
	Shoe															*5 730	*5 730	8.6
	800 mm															*5 570	*5 570	9.3
	CWT															*5 580	*5 580	9.8
	7 250 kg															*5 760	*5 760	10.1
																*6 110	*6 110	10.1
Straight boom	10.5 m kg															*6 690	*6 690	9.8
	6.8 m															*7 640	*7 640	9.4
	Arm															*9 290	9 000	8.6
	3.9 m															*9 800	*9 800	7.5
	Shoe															*10 090	*10 090	5.5
	800 mm															*8 290	*8 290	7.3
	CWT															*7 520	*7 520	8.5
	7 250 kg															*7 170	*7 170	9.2
																*7 050	*7 050	9.7
Bent boom	9.0 m kg															*7 150	*7 150	10.0
	6.5 m															*7 420	*7 420	10.0
	Arm															*7 940	*7 940	9.8
	3.2 m															*9 700	*7 700	9.3
	Shoe															*6 190	*6 190	8.5
	800 mm															*10 530	*10 530	4.0
	CWT															*7 470	*7 470	6.6
	7 250 kg															*6 410	*6 410	8.2
																*5 890	*5 890	9.2
Straight boom	10.5 m kg															*5 640	*5 640	10.0
	6.8 m															*5 550	*5 550	10.4
	Arm															*5 630	*5 630	10.6
	3.9 m															*5 820	*5 820	10.7
	Shoe															*6 180	*6 180	10.5
	800 mm															*6 780	*6 780	10.0
	CWT															*6 230	*6 230	9.3
	7 250 kg															*9 360	*9 360	8.3

Notes: 1. The above loads are in compliance with SAE and ISO Hydraulic Excavator Lift Capacity Standards. 2. They do not exceed 87% of hydraulic lifting capacity or 75% of tipping load. 3. Rated loads marked with an asterisk (*) are limited by hydraulic capacity rather than tipping load.

LIFTING CAPACITY EC480EHR with mechanically retractable undercarriage

At the arm end without bucket.

For lifting capacity including bucket, simply subtract actual weight of the direct fit bucket or the bucket with quick fit from the following values.

	Lifting hook related to ground level	1.5 m		3.0 m		4.5 m		6.0 m		7.5 m		9.0 m		10.5 m		Max. reach		m		
		Along UC	Across UC	Along UC	Across UC	Along UC	Across UC	Along UC	Across UC	Along UC	Across UC	Along UC	Across UC	Along UC	Across UC	Along UC	Across UC			
Bent boom	9.0 m kg									*10 770	*10 770					*9 830	*9 830	7.6		
7 m	7.5 m kg									*11 910	*11 910					*9 330	*9 330	8.7		
Arm	6.0 m kg									*12 660	*12 660	*11 990	10 890			*9 190	*9 190	9.5		
3.35 m	4.5 m kg					*21 680	*21 680	*16 460	*16 460	*13 920	*13 920	*12 540	10 640			*9 320	8 970	9.9		
Shoe	3.0 m kg					*24 150	*24 150	*19 070	18 900	*15 360	*13 570	13 200	10 310			*9 710	8 580	10.1		
900 mm	1.5 m kg					*16 690	*16 690	*21 140	17 970	*16 620	13 020	12 870	10 000			*10 400	8 440	10.1		
CWT	0.0 m kg					*20 540	*20 540	*22 220	17 410	16 510	12 640	12 630	9 780			11 110	8 620	9.8		
9 750 kg	-1.5 m kg			*15 320	*15 320	*28 740	27 260	*22 260	17 190	16 310	12 450	12 540	9 690			11 910	9 220	9.3		
	-3.0 m kg			*24 960	*24 960	*27 600	27 490	*21 190	17 240	16 340	12 480					13 580	10 480	8.6		
	-4.5 m kg			*31 570	*31 570	*23 930	*23 930	*18 520	17 580							14 190	13 140	7.4		
Bent boom	9.0 m kg															*7 870	*7 870	8.3		
7 m	7.5 m kg											*9 310	*9 310			*7 520	*7 520	9.3		
Arm	6.0 m kg									*11 820	*11 820	*11 240	11 090			*7 430	*7 430	10.0		
3.9 m	4.5 m kg							*15 320	*15 320	*13 160	*13 160	*11 920	10 790			*7 540	*7 540	10.4		
Shoe	3.0 m kg					*25 080	*25 080	*18 080	18 080	*14 700	*13 770	*12 790	10 430	*8 940	8 160	*7 850	*7 850	10.6		
900 mm	1.5 m kg					*21 910	*21 910	*20 420	18 230	*16 120	*13 160	12 960	10 080	*9 400	7 990	*8 370	7 890	10.6		
CWT	0.0 m kg			*8 450	*8 450	*22 190	*22 190	*21 870	17 540	16 590	12 710	12 660	9 800			*9 210	8 030	10.3		
9 750 kg	-1.5 m kg	*10 980	*10 980	*15 030	*15 030	*27 700	27 190	*22 310	17 200	16 310	12 450	12 500	9 650			*10 540	8 510	9.9		
	-3.0 m kg	*17 290	*17 290	*22 480	*22 480	*28 670	27 300	*21 690	17 140	16 250	12 390	12 530	9 670			12 290	9 500	9.1		
	-4.5 m kg			*32 210	*32 210	*25 680	*25 680	*19 710	17 370	*15 260	12 590					13 700	11 500	8.0		
	-6.0 m kg					*20 180	*20 180	*15 100	*15 100							13 650	*13 650	6.4		
Straight boom	12.0 m kg															14 080	*14 080	4.9		
7.5 m	10.5 m kg							*15 030	*15 030							*10 970	*10 970	7.2		
Arm	9.0 m kg							*14 550	*14 550	*14 300	*14 300					*9 720	*9 720	8.6		
3.35 m	7.5 m kg							*15 010	*15 010	*14 510	*14 510	*13 220	10 710			*9 110	*9 110	9.6		
Shoe	6.0 m kg					*22 720	*22 720	*18 080	18 080	*15 240	14 140	*13 420	10 540			*8 820	8 420	10.3		
900 mm	4.5 m kg							*20 010	19 030	*16 200	13 550	13 130	10 250	10 250	8 000	*8 770	7 780	10.7		
CWT	3.0 m kg							*21 640	17 910	16 850	12 960	12 790	9 920	10 120	7 860	*8 930	7 460	10.9		
9 750 kg	1.5 m kg							*22 240	17 160	16 340	12 490	12 500	9 650	9 990	7 740	*9 310	7 400	10.8		
	0.0 m kg							*21 630	16 820	16 040	12 210	12 320	9 480	9 940	7 700	*9 810	7 600	10.6		
	-1.5 m kg					*17 660	*17 660	*19 930	16 780	15 960	12 130	12 280	9 440			*10 210	8 120	10.1		
	-3.0 m kg					*19 980	*19 980	*17 120	16 980	*13 960	12 240	*10 590	9 600			*9 140	9 110	9.4		
	-6.0 m kg															10 420	*10 420	6.0		
Straight boom	12.0 m kg															8 570	*8 570	7.9		
7.5 m	10.5 m kg									*12 320	*12 320	*9 600	*9 600			*7 730	*7 730	9.2		
Arm	9.0 m kg									*12 200	*12 200	*12 880	*12 880	*12 170	10 910	*7 300	*7 300	10.2		
3.9 m	7.5 m kg							*14 580	*14 580	*14 860	*14 860	*14 630	14 380	*12 960	10 700	*9 770	8 220	10.8		
Shoe	6.0 m kg							*19 200	*19 200	*15 690	13 770	13 270	10 370	10 360	8 090	*7 070	*7 070	11.2		
900 mm	4.5 m kg							*21 080	18 250	*16 700	13 130	12 890	10 020	10 170	7 920	*7 200	6 960	11.4		
CWT	3.0 m kg							*22 100	17 350	16 460	12 590	12 550	9 700	10 000	7 750	*7 480	6 900	11.4		
9 750 kg	1.5 m kg							*11 880	*11 880	*21 970	16 870	16 080	12 240	12 320	9 480	9 890	7 640	*7 950	7 060	11.1
	0.0 m kg							*17 680	*17 680	*20 710	16 720	15 920	12 090	12 220	9 380	9 900	7 650	*8 710	7 480	10.7
	-1.5 m kg							*22 290	*22 290	*18 340	16 830	*14 850	12 130	*11 730	9 450	*9 030	8 290	10.0		
	-3.0 m kg									*14 620	*14 620	*11 710	*11 710					9.0		
	-4.5 m kg																	9.0		
Bent boom	9.0 m kg									*10 770	*10 770					*9 830	*9 830	7.6		
7 m	7.5 m kg									*11 910	*11 910					*9 330	*9 330	8.7		
Arm	6.0 m kg									*12 660	*12 660	*11 990	10 790			*9 190	*9 190	9.5		
3.35 m	4.5 m kg					*21 680	*21 680	*16 460	*16 460	*13 920	*13 920	*12 540	10 540			*9 320	8 970	9.9		
Shoe	3.0 m kg					*24 150	*24 150	*19 070	18 720	*15 360	13 440	13 070	10 210			*9 710	8 490	10.1		
800 mm	1.5 m kg					*16 690	*16 690	*21 140	17 790	*16 620	12 890	12 740	9 900			*10 400	8 350	10.1		
CWT	0.0 m kg					*20 540	*20 540	*22 220	17 230	16 340	12 510	12 500	9 670			10 990	8 530	9.8		
9 750 kg	-1.5 m kg			*15 320	*15 320	*28 740	26 980	*22 260	17 010	16 140	12 320	12 410	9 580			11 790	9 120	9.3		
	-3.0 m kg			*24 960	*24 960	*27 600	27 210	*21 190	17 060	16 170	12 350					13 440	10 370	8.6		
	-4.5 m kg			*31 570	*31 570	*23 930	*23 930	*18 520	17 400							14 190	13 010	7.4		
Bent boom	9.0 m kg															*7 870	*7 870	8.3		
7 m	7.5 m kg											*9 310	*9 310			*7 520	*7 520	9.3		
Arm	6.0 m kg									*11 820	*11 820	*11 240	10 990			*7 430	*7 430	10.0		
3.9 m	4.5 m kg							*15 320	*15 320	*13 160	*13 160	*11 920	10 690			*7 540	*7 540	10.4		
Shoe	3.0 m kg					*25 080	*25 080	*18 080	18 080	*14 700	*13 630	*12 790	10 330	*8 940	8 080	*7 850	*7 850	10.6		
800 mm	1.5 m kg					*21 910	*21 910	*20 420	18 050	*16 120	13 030	12 820	9 980	*9 400	7 900	*8 370	7 800	10.6		
CWT	0.0 m kg			*8 450	*8 450	*22 190	*22 190	*21 870	17 360	16 420	12 580	12 530	9 700			*9 210	7 940	10.3		
9 750 kg	-1.5 m kg	*10 980	*10 980	*15 030	*15 030	*27 700	26 920	*22 310	17 020	16 140	12 320	12 370	9 540			*10 540	8 410	9.9		
	-3.0 m kg	*17 290	*17 290	*22 480	*22 480	*28 670	27 020	*21 690	16 970	16 080	12 260	12 390	9 570			12 160	9 400	9.1		
	-4.5 m kg			*32 210	*32 210	*25 680	*25 680	*19 710	17 190	*15 260	12 460					13 700	11 380	8.0		
	-6.0 m kg					*20 180	*20 180	*15 100	*15 100							13 650	*13 650	6.4		
Straight boom	12.0 m kg															14 080	*14 080	4.9		
7.5 m	10.5 m kg							*15 030	*15 030							*10 970	*10 970	7.2		
Arm	9.0 m kg							*14 550	*14 550	*14 300	*14 300					*9 720	*9 720	8.6		
3.35 m	7.5 m kg							*15 010	*15 010	*14 510	14 450	*13 220	10 610			*9 110	*9 110	9.6		
Shoe	6.0 m kg					*22 720	*22 720	*18 080	18 080	*15 240	14 010	13 310	10 440			*8 820	8 330	10.3		
800 mm	4.5 m kg							*20 010	18 860	*16 200	13 420	13 000	10 140	10 150	7 910	*8 770	7 690	10.7		
CWT	3.0 m kg							*21 640	17 730	16 680	12 830	12 660	9 820	10 010	7 780	*8 930	7 370	10.9		
9 750 kg	1.5 m kg							*22 240	16 980	16 170	12 360	12 370	9 550	9 880	7 650	*9 310	7 320	10.8		
	0.0 m kg							*21 630	16 640	15 870	12 080	12 180	9 370	9 830	7 610	*9 700	7 510	10.6		
	-1.5 m kg					*17 660	*17 660	*19 930	16 610	15 790	11 990	12 140	9 340			*10 210	8 030	10.1		
	-3.0 m kg					*19 980	*19 980</													

Specifications.

LIFTING CAPACITY EC480EHR with mechanically retractable undercarriage

At the arm end without bucket.

For lifting capacity including bucket, simply subtract actual weight of the direct fit bucket or the bucket with quick fit from the following values.

	Lifting hook related to ground level	1.5 m		3.0 m		4.5 m		6.0 m		7.5 m		9.0 m		10.5 m		Max. reach				
		Along UC	Across UC	Along UC	Across UC	Along UC	Across UC	Along UC	Across UC	Along UC	Across UC	Along UC	Across UC	Along UC	Across UC	Along UC	Across UC	m		
Bent boom 7 m Arm 3.35 m Shoe 7 00 mm CWT 9 750 kg	9.0 m	kg																		
	7.5 m	kg									*10 770	*10 770								
	6.0 m	kg									*11 910	*11 910								
	4.5 m	kg									*12 660	*12 660	*11 990	10 690						
	3.0 m	kg																		
	1.5 m	kg																		
	0.0 m	kg																		
	-1.5 m	kg																		
	-3.0 m	kg																		
	-4.5 m	kg																		
	Bent boom 7 m Arm 3.9 m Shoe 700 mm CWT 9 750 kg	9.0 m	kg																	
7.5 m		kg																		
6.0 m		kg																		
4.5 m		kg																		
3.0 m		kg																		
1.5 m		kg																		
0.0 m		kg																		
-1.5 m		kg																		
-3.0 m		kg																		
-4.5 m		kg																		
Straight boom 7.5 m Arm 3.35 m Shoe 700 mm CWT 9 750 kg		12.0 m	kg																	
	10.5 m	kg																		
	9.0 m	kg																		
	7.5 m	kg																		
	6.0 m	kg																		
	4.5 m	kg																		
	3.0 m	kg																		
	1.5 m	kg																		
	0.0 m	kg																		
	-1.5 m	kg																		
	Straight boom 7.5 m Arm 3.9 m Shoe 700 mm CWT 9 750 kg	12.0 m	kg																	
10.5 m		kg																		
9.0 m		kg																		
7.5 m		kg																		
6.0 m		kg																		
4.5 m		kg																		
3.0 m		kg																		
1.5 m		kg																		
0.0 m		kg																		
-1.5 m		kg																		
Bent boom 7 m Arm 3.35 m Shoe 600 mm CWT 9 750 kg		9.0 m	kg																	
	7.5 m	kg																		
	6.0 m	kg																		
	4.5 m	kg																		
	3.0 m	kg																		
	1.5 m	kg																		
	0.0 m	kg																		
	-1.5 m	kg																		
	-3.0 m	kg																		
	-4.5 m	kg																		
	Bent boom 7 m Arm 3.9 m Shoe 600 mm CWT 9 750 kg	9.0 m	kg																	
7.5 m		kg																		
6.0 m		kg																		
4.5 m		kg																		
3.0 m		kg																		
1.5 m		kg																		
0.0 m		kg																		
-1.5 m		kg																		
-3.0 m		kg																		
-4.5 m		kg																		
Straight boom 7.5 m Arm 3.35 m Shoe 600 mm CWT 9 750 kg		12.0 m	kg																	
	10.5 m	kg																		
	9.0 m	kg																		
	7.5 m	kg																		
	6.0 m	kg																		
	4.5 m	kg																		
	3.0 m	kg																		
	1.5 m	kg																		
	0.0 m	kg																		
	-1.5 m	kg																		
	Straight boom 7.5 m Arm 3.9 m Shoe 600 mm CWT 9 750 kg	12.0 m	kg																	
10.5 m		kg																		
9.0 m		kg																		
7.5 m		kg																		
6.0 m		kg																		
4.5 m		kg																		
3.0 m		kg																		
1.5 m		kg																		
0.0 m		kg																		
-1.5 m		kg																		

Notes: 1. The above loads are in compliance with SAE and ISO Hydraulic Excavator Lift Capacity Standards. 2. They do not exceed 87% of hydraulic lifting capacity or 75% of tipping load. 3. Rated loads marked with an asterisk (*) are limited by hydraulic capacity rather than tipping load.

Equipment.

STANDARD EQUIPMENT EC380EHR, EC480EHR

Engine
Turbocharged, 4 stroke diesel engine with water cooling, direct injection and charged air cooler that meets Tier4f/EU Stage IV requirements.
Air intake heater
Fuel filter and water separator
Fuel filler pump: 50 l/min, with automatic shut-off
Alternator, 80 A
Precleaner, Cyclone
Electric/Electronic control system
Contronics
Advanced mode control system
Self-diagnostic system
Machine status indication
Engine speed sensing power control
Automatic idling system
One-touch power boost
Safety stop/start function
Adjustable two LCD color monitors
Master electrical disconnect switch
Engine restart prevention circuit
High-capacity halogen lights(Optional selection to LED):
Frame-mounted 2
Boom-mounted 4
Batteries, 2 x 12 V / 200 Ah
Start motor, 24 V / 7 kW
CareTrack
Engine emergency stop switch
Overload Warning (TMI & Slew limitation)
Front camera for demolition
Rear view camera on counterweight
Cleaning air gun
Dust suppression system
Hydraulic system
Hose rupture valve for UHR:
boom cylinder and arm
Hydraulic piping:
Hammer & shear:
Two pump flow
Slope & rotator
Oil leak (drain) line
Quick fit piping
Additional return filter
Overload warning device
Automatic sensing hydraulic system
Summation system
Boom priority
Arm priority
Swing priority
Boom and arm regeneration valves
Slew anti-rebound valves
Boom and arm holding valves
Multi-stage filtering system
Cylinder cushioning
Cylinder contamination seals
Auxiliary hydraulic valve
Automatic two-speed travel motors
Hydraulic oil, ISO VG 46
Superstructure
Full height counterweight: 7 250 kg (EC380EHR)
Full height counterweight: 9 750 kg (EC480EHR)
Additional counterweight for high reach: 2 750 kg (EC380EHR)
Additional counterweight for high reach: 3 350 kg (EC480EHR manual CWT)
Additional counterweight for high reach: 3 500 kg (EC480EHR hyd removable CWT)
HD undercover plate (8 mm)
HD double thickness side doors with micro mesh
Access way with handrail
Punched metal anti-slip plates
Tool storage area
Undercarriage
Fixed undercarriage
Swing ring guard
HD Undercover plate (10 mm)
Hydraulic track adjusters
Greased and sealed track link
Standard track guards
Foot support bar

Tilting cab, and interior
Tilting cab
Seat, mech. susp w/ heater, w/o X-Isolator
Control Joystick with 3 switch & 1 prop. control
Air-conditioner climate control
Silicon oil and rubber mounts with spring
Adjustable operator seat and joystick control console
AM/FM stereo with CD Player and MP3 input with bluetooth
Flexible antenna
Hydraulic safety lock lever
Cab, all-weather sound suppressed, includes:
Cup holder
Door locks
Tinted glass
Floor mat
Horn
Large storage area
Seat belt, 3 inch retractable
Safety glass(front and side)
LEXAN glass(roof)
Sun shields, front, roof, rear
Windshield wipers with intermittent feature(front and roof)
Master key
Frame mounted Falling object guard (FOG)

OPTIONAL EQUIPMENT EC380EHR, EC480EHR

Engine
Block heater: 120 V, 240 V
Oil bath pre-cleaner
Diesel coolant heater ,10kW
Water separator with heater
Reversible cooling fan
Electric
Extra lights(halogen or LED):
Cab mounted x2 (front) x1 (rear)
Counterweight mounted x1
Travel alarm
Anti-theft system
Rotating warning beacon
Side view camera
Hydraulic system
Hose rupture valve for digging boom : Arm
Hydraulic piping:
Work tool management system (Up to 20 programmable memories)
Grapple for digging boom
Quick fit piping for digging boom
Volvo hydraulic quick fit, (SQF S3,VQC-HU,DR38) for digging boom (EC380EHR)
Volvo hydraulic quick fit, (SQF S3,VQC-HU,DR48) for digging boom (EC480EHR)
Straight travel pedal
Hydraulic oil, ISO VG 32, 68
Hydraulic oil, biodegradable 46
Hydraulic oil, longlife oil 32, 46, 68
Boom cylinder guard
Bucket cylinder guard
Superstructure
Side Impact Protection System
Side walk-way for tilting cab
Cab and interior
Seat, Mech. susp w/o heater, w/o X-Isolator
Seat, Air susp w/ heater, w/ X-Isolator
Pilot control pattern change
Smoker kit (ashtray & lighter)
Safety net for front window
Lower wiper with intermittent control
Specific key
Undercarriage
Hydraulically retractable undercarriage
Mechanically retractable undercarriage (EC480EHR)
Full track guards
Track shoes
600/700/800/900 mm triple grouser shoes
600 mm double grouser shoes
Digging equipment
Digging boom Straight 6,8 m / Bent 6,5 m (EC380EHR)
Arm: 3.2 m / 3.9 m (EC380EHR)
Digging boom Straight 7.5 m / Bent 7.0 m (EC480EHR)
Arm: 3.35 m / 3.9 m (EC480EHR)
Manual centralized lubrication
High reach
Boom HR-3 piece: 23 m (EC380EHR)
Boom HR-3 piece: 28 m (EC480EHR)
Additional front camera for demolition(left hand side)
Service
Spare parts
Tool kit, full scale
Tool kit, daily maintenance

Not all products are available in all markets. Under our policy of continuous improvement, we reserve the right to change specifications and design without prior notice. The illustrations do not necessarily show the standard version of the machine.

VOLVO

Volvo Construction Equipment

www.volvoce.com